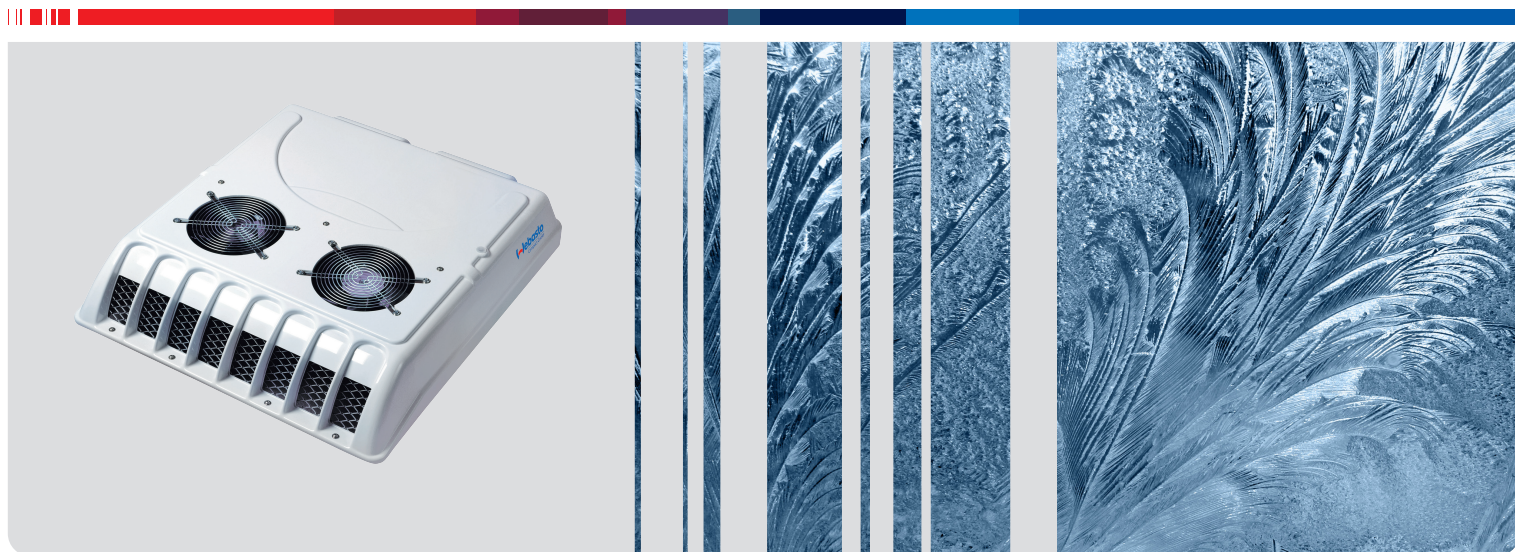


Spare Parts List

Air Conditioning Roof Top

Compact Cooler 4E | Compact Cooler 5 | Compact Cooler 8



English

Deutsch

Italiano

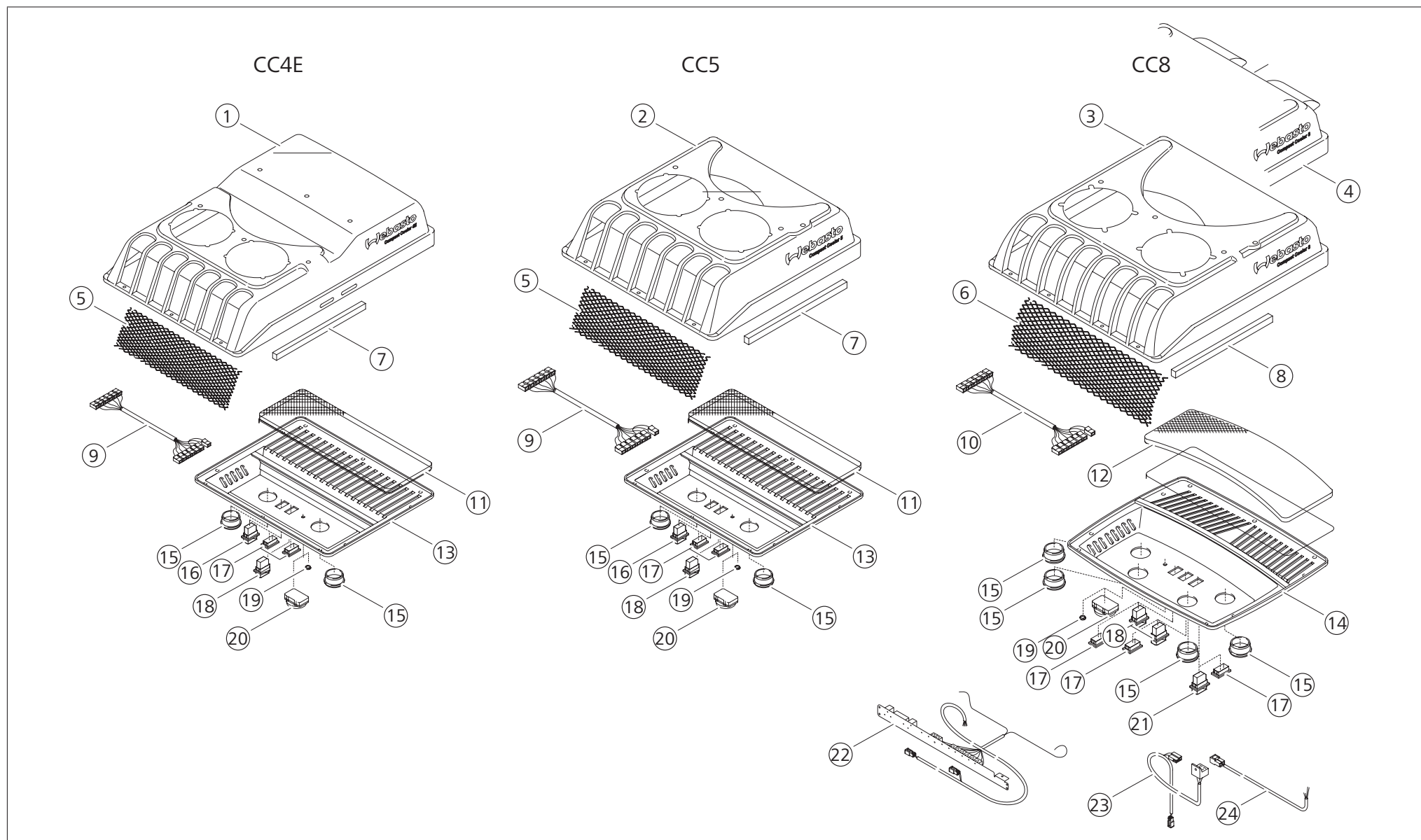
Ersatzteilliste

Parti di ricambio

Table of contents

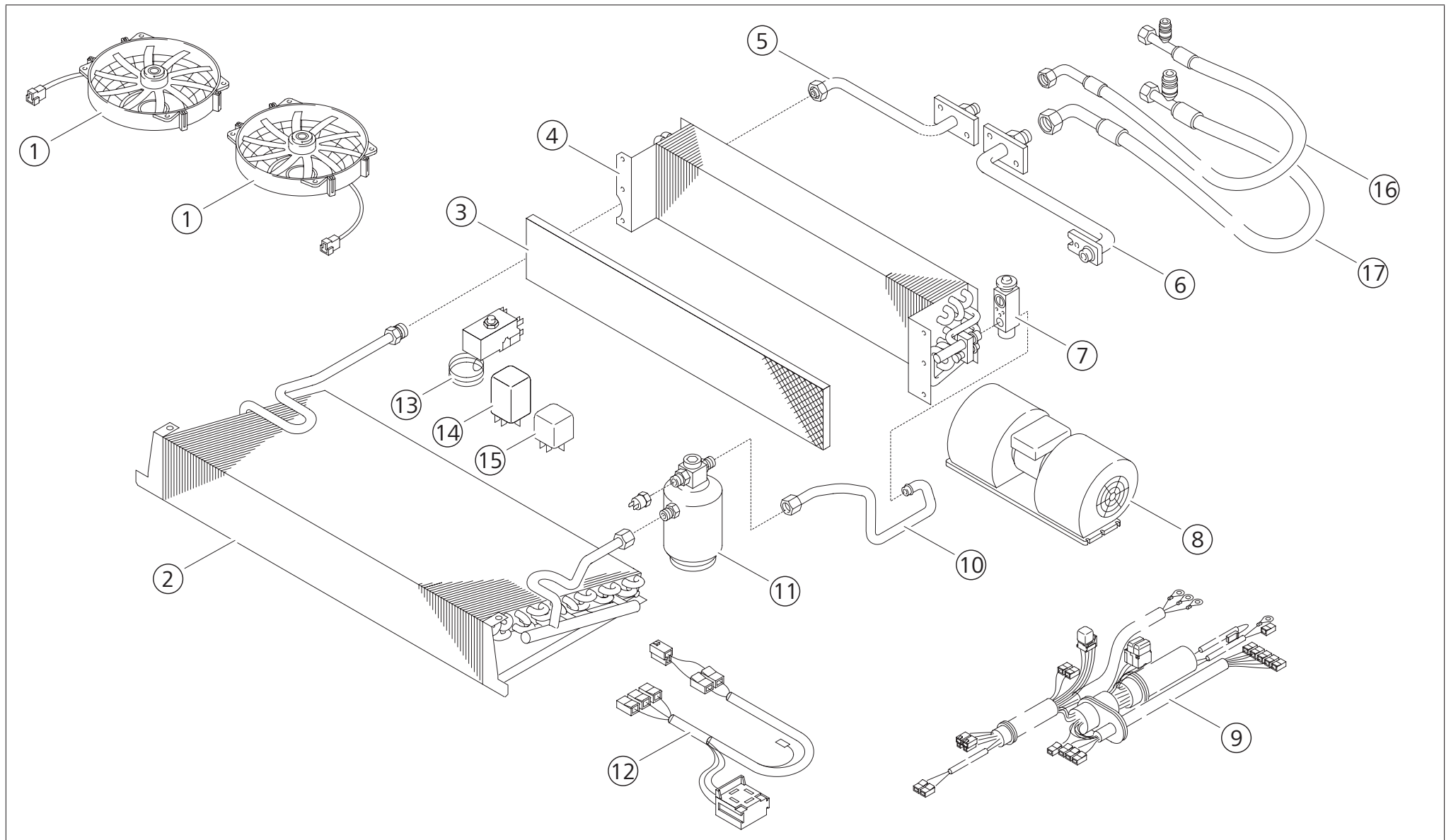
1	External parts for air-conditioning system / Externe Teile zur Klimaanlage / Parti esterne per l'aria condizionata	3
2	Internal parts for air-conditioning system CC4E / Interne Teile zur Klimaanlage CC4E / Parti interne per l'aria condizionata CC4E	5
3	Internal parts for air-conditioning system CC5 / Interne Teile zur Klimaanlage CC5 / Parti interne per l'aria condizionata CC5	7
4	Internal parts for air-conditioning system CC8 / Interne Teile zur Klimaanlage CC8 / Parti interne per l'aria condizionata CC8	10
5	Optional air distribution CC8 / Optionale Luftverteilung CC8 / Distribuzione dell'aria opzionale CC8	13
6	Compressors / Verdichter / Compressori	14
7	E-Unit CC4E CC5	15

1 External parts for air-conditioning system / Externe Teile zur Klimaanlage / Parti esterne per l'aria condizionata



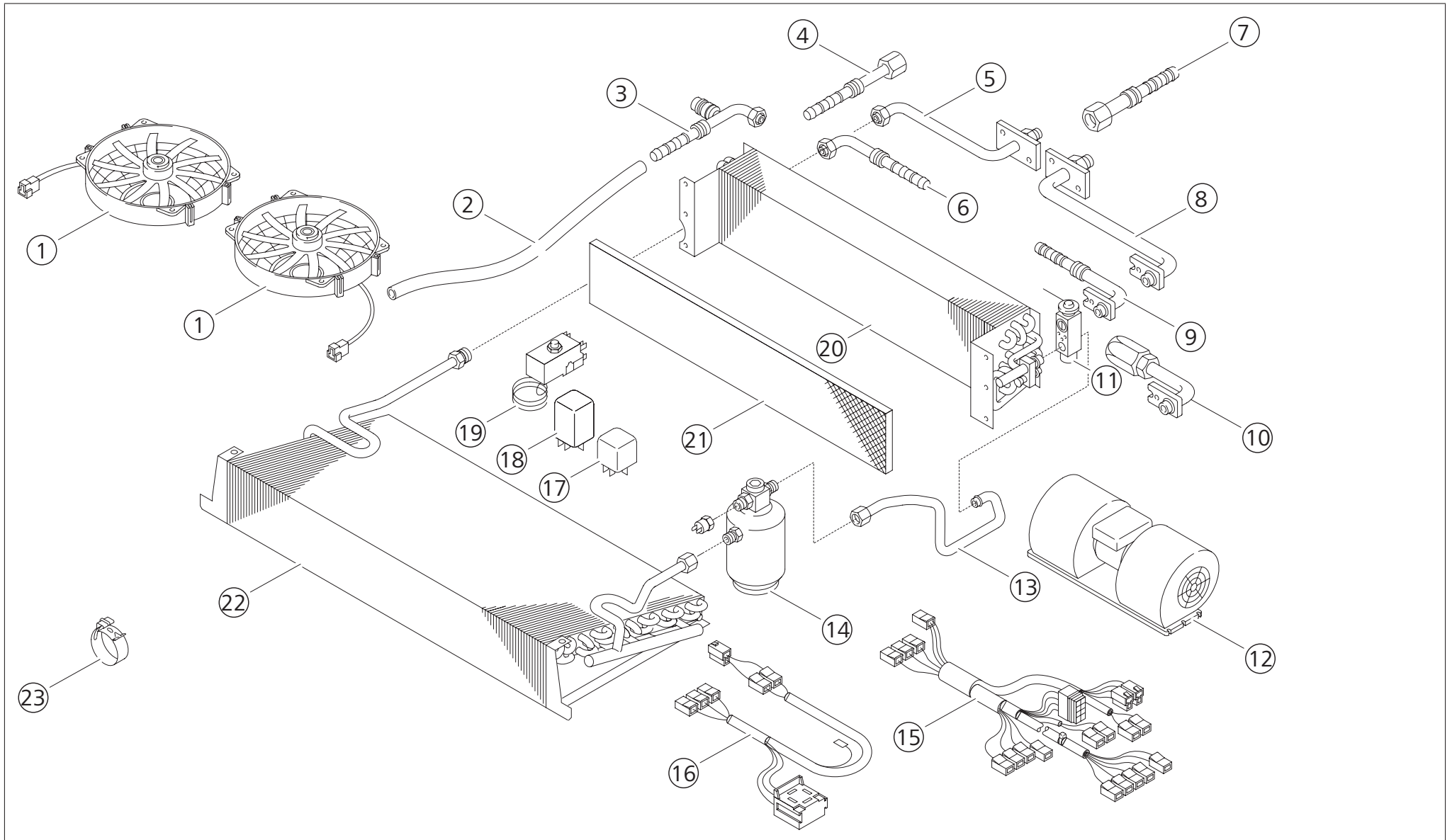
Pos.	CCA4E	CC5	CC8	Part no.	Description	Beschreibung	Descrizione
1	■			9004048A	Cover	Abdeckung	Coperchietto
2		■		6234837A	Cover	Abdeckung	Coperchietto
3			■	6235170A	Cover basic	Abdeckung Basis	Coperchietto base
4			■	98529B	Cover comfort	Abdeckung Komfort	Coperchietto comfort
5	■	■		6240074A	Air outlet grille	Luftausströmgitter	Griglia aria esterna
6			■	6240077A	Air outlet grille	Luftausströmgitter	Griglia aria esterna
7	■	■		6263173B	Sealing roof frame	Dichtung Dachrahmen	Sigillatura barre sul tetto
8			■	6297245A	Sealing roof frame	Dichtung Dachrahmen	Sigillatura barre sul tetto
9	■	■		66277A	Wiring harness external control element 10.80 m	Kabelbaum Bedienelement extern 10,80 m	Fascio di cavi pannello di comando esterne 10,80 m
10			■	6267043C	Wiring harness external control element 13 m	Kabelbaum Bedienelement extern 13 m	Fascio di cavi pannello di comando esterne 13m
11	■	■		6264049A	Recirculated air filter	Umluftfilter	Filtro di ricircolo dell'aria
12			■	6297516A	Recirculation air filter	Umluftfilter	Filtro di ricircolo dell'aria
13	■	■		6264045B	Air distributor	Luftverteiler	Distribuzione dell'aria
14			■	66280B	Air distributor	Luftverteiler	Distribuzione dell'aria
15	■	■	■	62063090A	Air outlet round 3 mm	Luftausströmer rund 3 mm	Bocchetta aria circa 3 mm
16	■	■	■	66595A	3-way switch	3-Wege Schalter	Interruttore a 3 vie
17	■	■	■	6267036A	Cover 44x22 mm	Abdeckung 44x22 mm	Coperchietto 44x22 mm
18	■	■	■	66596A	Rocker switch	Wipptastenschalter	Interruttore basculante
18			■	6240086A	Rocker switch heating/cooling	Wipptastenschalter Heizen/Kühlen	Interruttore basculante riscaldamento/raffreddamento
19	■	■	■	6266591A	Protective cap 12,7x3,2	Abdeckkappe 12,7x3,2	Coperchio 12,7x3,2
20	■	■	■	67638A	Control element thermostat module	Bedienelement Thermostat-Modul	Pannello di comando modulo termostato
21			■	6298698B	Rocker switch fresh-air flap 12 V	Wipptastenschalter Frischluftklappe 12 V	Interruttore basculante deflettore aria pura 12 V
21			■	6240076A	Rocker switch fresh-air flap 24 V	Wipptastenschalter Frischluftklappe 24 V	Interruttore basculante deflettore aria pura 24 V
22			■	6297557B	Electrics basis 12 V	Elektrik Basis 12 V	Base elettrica 12 V
22			■	629000948A	Heating option electric 12 V	Heizoption elektrik 12 V	Opzione riscaldamento elettrico 12 V
23			■	6298510D	Wiring harness thermostat version	Kabelbaum Thermostatversion	Fascio di cavi versione termostato
24			■	6297192B	Wiring harness fresh air flap	Kabelbaum Frischluftklappe	Fascio di cavi deflettore aria pura

2 Internal parts for air-conditioning system CC4E / Interne Teile zur Klimaanlage CC4E / Parti interne per l'aria condizionata CC4E



Pos.	CCA4E	CC5	CC8	Part no.	Description	Beschreibung	Descrizione
1	■			6264506A	Axial fan 24 V	Axialgebläse 24 V	Ventilatore 24 V
2	■			9024285A	Condenser with room thermostat	Verflüssiger mit Raumthermostat	Condensatore con termostato ambiente
3	■			9024278A	Anti condensate mesh	Anti-Kondensat Netz	Filtro anticondensa
4	■			9024284A	Evaporator	Verdampfer	Evaporatore
5	■			9024273A	Refrigerant line NW10	Kältemittelleitung NW10	Tubo di refrigerazione NW10
6	■			9024274A	Refrigerant line NW16	Kältemittelleitung NW16	Tubo di refrigerazione NW16
7	■			9024277A	Expansion valve TBF1,5	Expansionsventil TBF1,5	Valvola ad espansione TBF1,5
8	■			62054107A	Centrifugal blower 24 V	Radialgebläse 24 V	Unità ventilatore 24 V
9	■			629004184C	Wiring harness	Kabelbaum	Fascio di cavi
10	■			9024275A	Refrigerant line NW8	Kältemittelleitung NW8	Tubo di refrigerazione NW8
11	■			6266554B	Receiver-dryer	Sammler/Trockner	Filtro disidratatore
12	■			6264039B	Wiring harness Comfort	Kabelbaum Komfort	Fascio di cavi Comfort
13	■			6265354A	Thermostat electronic anti-freeze	Thermostat elektrisch Vereisungsschutz	Termostato elettrico antigelo
14	■			6266784A	Thermostat module room thermostat 24 V	Thermostatmodul Raumthermostat 24 V	Modulo termostato termostato ambiente 24 V
15	■			6243010A	Relay 24 V 10/20 A changer with diode	Relais 24 V 10/20 A Wechsler mit Diode	Relais 24 V 10/20 A inverseur avec diode
16	■			6241000A	Tube 13/32"	Leitung 13/32"	Tubo 13/32"
17	■			6240999A	Tube 1/2"	Leitung 1/2"	Tubo 1/2"

3 Internal parts for air-conditioning system CC5 / Interne Teile zur Klimaanlage CC5 / Parti interne per l'aria condizionata CC5



Pos.	CCA4E	CC5	CC8	Part no.	Description	Beschreibung	Descrizione
1		■		6264505A	Axial fan 12 V	Axialgebläse 12 V	Ventilatore 12 V
1		■		6264506A	Axial fan 24 V	Axialgebläse 24 V	Ventilatore 24 V
Spare parts for Eaton hoses [3]:							
2		■		629004725A	Refrigerant hose NW10 fitting 6 m	Kältemittelschlauch NW10 Fitting 6 m	Flessibile del refrigerante NW10 raccordo a clip 6 m
2		■		629004727A	Refrigerant hose NW12 fitting 6 m	Kältemittelschlauch NW12 Fitting 6 m	Flessibile del refrigerante NW12 raccordo a clip 6 m
2		■		629004729A	Refrigerant hose NW10 fitting 11 m	Kältemittelschlauch NW10 Fitting 11 m	Flessibile del refrigerante NW10 raccordo a clip 11 m
2		■		629004730A	Refrigerant hose NW12 fitting 11 m	Kältemittelschlauch NW12 Fitting 11 m	Flessibile del refrigerante NW12 raccordo a clip 11 m
4		■		629004740A [1]	Fitting NW10 3/4" 90° filler neck	Fitting NW10 3/4" 90° Befüllstutzen	Raccordo a clip NW10 3/4" 90° bocchettone di riempimento
6		■		629004739A [1]	Fitting NW10 3/4" 90°	Fitting NW10 3/4" 90°	Raccordo a clip NW10 3/4" 90°
7		■		6235169A [1]	Fitting NW12 7/8" straight	Fitting NW12 7/8" gerade	Raccordo a clip NW12 7/8" diritto
9		■		629004745A [1]	Fitting NW12 90° flange	Fitting NW12 90° Flansch	Raccordo a clip NW12 90° flangia
23			■	9004692A	Clip NW12 (10x)	Klammer NW12 (10x)	Fermagli NW12 (10x)
23			■	9004693A	Clip NW16 (10x)	Klammer NW16 (10x)	Fermagli NW16 (10x)
Spare parts for FG100 hoses [3]:							
2		■		6241057A	FG100 Refrigerant hose NW10 fitting 6 m	FG100 Kältemittelschlauch NW10 Fitting 6 m	Flessibile del refrigerante FG100 NW10 raccordo a clip 6 m
2		■		6241062A	FG100 Refrigerant hose NW12 fitting 6 m	FG100 Kältemittelschlauch NW12 Fitting 6 m	Flessibile del refrigerante FG100 NW12 raccordo a clip 6 m
2		■		6241058A	FG100 Refrigerant hose NW10 fitting 11 m	FG100 Kältemittelschlauch NW10 Fitting 11 m	Flessibile del refrigerante FG100 NW10 raccordo a clip 11 m
2		■		6241063A	FG100 Refrigerant hose NW12 fitting 11 m	FG100 Kältemittelschlauch NW12 Fitting 11 m	Flessibile del refrigerante FG100 NW12 raccordo a clip 11 m
3		■		6241043A	Fitting NW12 7/8" 90° LP filler neck for FG100	Fitting NW12 7/8" 90° Befüllstutzen FG100	Raccordo a clip NW12 7/8" 90° con valvola BP per tubo FG100
4		■		6241041A	Fitting NW10 3/4" 90° HP filler neck for FG100	Fitting NW10 3/4" 90° Befüllstutzen FG100	Raccordo a clip NW10 3/4" 90° con valvola AP per tubo FG100
6		■		6243229A [1]	Fitting NW10 3/4" 90° for FG100	Fitting NW10 3/4" 90° FG100	Raccordo a clip NW10 3/4" 90° per tubo FG100
7		■		6241048A [1]	Fitting NW12 7/8" straight for FG100	Fitting NW12 7/8" gerade FG100	Raccordo a clip NW12 7/8" diritto per tubo FG100
9		■		6241014A [1]	Fitting NW12 90° flange for FG100	Fitting NW12 90° Flansch FG100	Raccordo a clip NW12 90° flangia per tube FG100
5		■		9024273A	Refrigerant line NW10	Kältemittelleitung NW10	Tubo di refrigerazione NW10
8		■		9024274A	Refrigerant line NW16	Kältemittelleitung NW16	Tubo di refrigerazione NW16
10		■		6265611A [2]	Screw connection O-ring NW12 90° flange	Schraubanschluss O-ring NW12 90° Flansch	Raccordo a vite anello OR NW12 90° flangia
11		■		9024277A	Expansion valve TBF1,5	Expansionsventil TBF1,5	Valvola ad espansione TBF1,5
12		■		62054103A	Centrifugal blower 12 V	Radialgebläse 12 V	Unità ventilatore 12 V
12		■		62054107A	Centrifugal blower 24 V	Radialgebläse 24 V	Unità ventilatore 24 V
13		■		9024275A	Refrigerant line NW8	Kältemittelleitung NW8	Tubo di refrigerazione NW8

[1] Fittings (bag) are delivered with mounting material. / Diese Fittinge (Beutel) werden mit Montagmaterial geliefert. / Raccordi (sacchetti) sono forniti con materiale di montaggio.

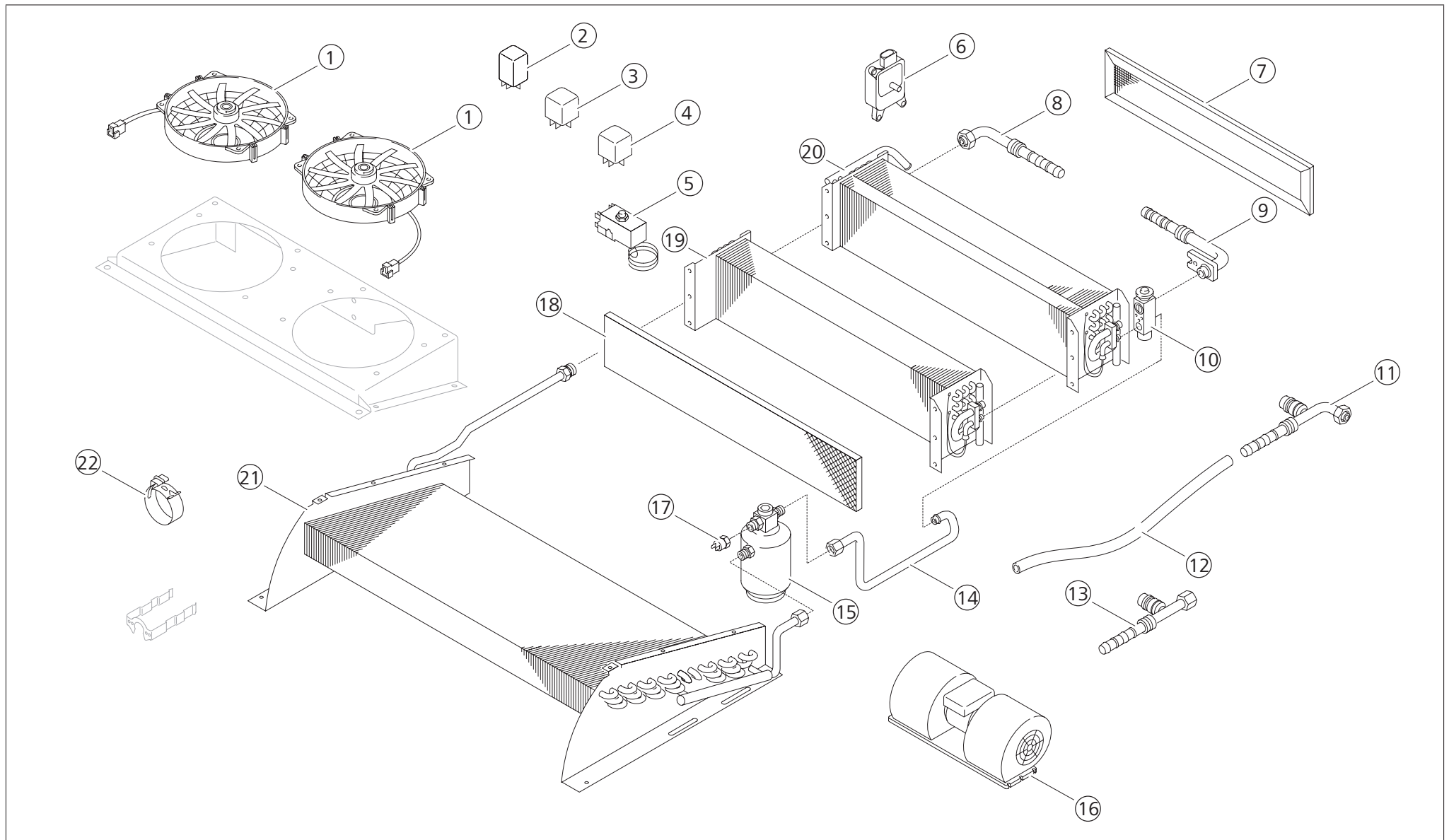
[2] Only for refrigerant hose FC802. / Nur für Kältemittelschlauch FC802. / Solo per tubo flessibile del refrigerante FC802.

[3] Before ordering hoses or fittings as spare part, it is mandatory to verify whether the hose is of the Eaton or the FG100 model. / Vor der Bestellung von Schläuchen oder Armaturen als Ersatzteil ist unbedingt zu prüfen, ob es sich um einen Schlauch des Modells Eaton oder des Modells FG100 handelt. / Prima di ordinare tubi o raccordi come pezzi di ricambio, è obbligatorio verificare se il tubo è del modello Eaton o del modello FG100.

Pos.	CCA/E	CC5	CC8	Part no.	Description	Beschreibung	Descrizione
14		■		6266554B	Receiver-dryer	Sammler/Trockner	Filtro disidratatore
15		■		6264524D	Wiring harness	Kabelbaum	Fascio di cavi
16		■		6264039B	Wiring harness Comfort	Kabelbaum Komfort	Fascio di cavi Comfort
17		■		6298525A	Relay 12 V 20/30 A changer with diode	Relais 12 V 20/30 A Wechsler mit Diode	Relais 12 V 20/30 A inverseur avec diode
17		■		6243010A	Relay 24 V 10/20 A changer with diode	Relais 24 V 10/20 A Wechsler mit Diode	Relais 24 V 10/20 A inverseur avec diode
18		■		6266784A	Thermostat module room thermostat 24 V	Thermostatmodul Raumthermostat 24 V	Modulo termostato termostato ambiente 24 V
19		■		6265354A	Thermostat electronic anti-freeze	Thermostat elektrisch Vereisungsschutz	Termostato elettrico antigelo
20		■		9024284A	Evaporator	Verdampfer	Evaporatore
21		■		9024278A	Anti condensate mesh	Anti-Kondensat Netz	Filtro anticondensa
22		■		9024285A	Condenser with room thermostat	Verflüssiger mit Raumthermostat	Condensatore con termostato ambiente
---		■		6241040A	Fitting NW12 7/8" 90°	Fitting NW12 7/8" 90°	Raccordo a clip NW12 7/8" 90°
---		■		6230654A	O-ring NW10 fitting hose side (20x)	O-Ring NW10 Fitting schlauchseitig (20x)	Anello OR NW10 raccordo a clip lato tubo (20x)
---		■		6230655A	O-ring NW12 fitting hose side (20x)	O-Ring NW12 Fitting schlauchseitig (20x)	Anello OR NW12 raccordo a clip lato tubo (20x)
---		■		62069506RA	O-ring 10.82x1.78 (50x)	O-Ring 10.82x1.78 (50x)	Anello OR 10.82x1.78 (50x)
---		■		6280641A	O-ring NW12 expansion valve	O-Ring NW12 Expansionsventil	Anello OR NW12 valvola ad espansione

[1] Fittings (bag) are delivered with mounting material. / Diese Fittinge (Beutel) werden mit Montagmaterial geliefert. / Raccordi (sacchetti) sono forniti con materiale di montaggio.

4 Internal parts for air-conditioning system CC8 / Interne Teile zur Klimaanlage CC8 / Parti interne per l'aria condizionata CC8



Pos.	CCA4E	CC5	CC8	Part no.	Description	Beschreibung	Descrizione
1			■	9024286A	Axial fan 12 V	Axialgebläse 12 V	Ventilatore 12 V
1			■	9024287A	Axial fan 24 V	Axialgebläse 24 V	Ventilatore 24 V
2			■	6266784A	Thermostat module room thermostat 24 V	Thermostatmodul Raumthermostat 24 V	Modulo termostato termostato ambiente 24 V
3			■	6298560A	Relay 12 V 25 A changer with diode	Relais 12 V 25 A Wechsler mit Diode	Relais 12 V 25 A inverseur avec diode
3			■	6266467A	Relay 24 V 5/10 A changer with diode	Relais 24 V 5/10 A Wechsler mit Diode	Relè 24 V 5/10 A invertitore con diodo
4			■	6298525A	Relay 12 V 20/30 A changer with diode	Relais 12 V 20/30 A Wechsler mit Diode	Relais 12 V 20/30 A inverseur avec diode
4			■	6243010A	Relay 24 V 10/20 A changer with diode	Relais 24 V 10/20 A Wechsler mit Diode	Relais 24 V 10/20 A inverseur avec diode
5			■	6265354A	Thermostat electronic anti-freeze	Thermostat elektrisch Vereisungsschutz	Termostato elettrico antigelo
6			■	66975A	Fresh-air flap motor 12 V	Frischlufklappenmotor 12 V	Motore aletta aria pulita 12 V
6			■	6240081A	Fresh-air flap motor 24 V	Frischlufklappenmotor 24 V	Motore deflettore aria pura 24 V
7			■	6266980B	Fresh air filter	Frischluffilter	Filtro aria pura
Spare parts for Eaton hoses [2]:							
8			■	6241040A	Fitting NW12 7/8" 90°	Fitting NW12 7/8" 90°	Raccordo a clip NW12 7/8" 90°
9			■	629004746A	Fitting NW16 90° flange	Fitting NW16 90° Flansch	Raccordo a clip NW16 90° flangia
11			■	629004741A	Fitting NW12 3/4" 90° filler neck	Fitting NW12 3/4" 90° Befüllstutzen	Raccordo a clip NW12 3/4" 90° bocchettone di riempimento
11			■	629004743A	Fitting NW16 7/8" 90° filler neck	Fitting NW16 7/8" 90° Befüllstutzen	Raccordo a clip NW16 7/8" 90° bocchettone di riempimento
12			■	629004730A	Refrigerant hose NW12 fitting 11 m	Kältemittelschlauch NW12 Fitting 11 m	Flessibile del refrigerante NW12 raccordo a clip 11 m
12			■	629004727A	Refrigerant hose NW12 fitting 6 m	Kältemittelschlauch NW12 Fitting 6 m	Flessibile del refrigerante NW12 raccordo a clip 6 m
12			■	629004733A	Refrigerant hose NW12 fitting 16 m	Kältemittelschlauch NW12 Fitting 16 m	Flessibile del refrigerante NW12 raccordo a clip 16 m
12			■	629004728A	Refrigerant hose NW16 fitting 6 m	Kältemittelschlauch NW16 Fitting 6 m	Flessibile del refrigerante NW16 raccordo a clip 6 m
13			■	629004749A	Fitting NW12 straight filler neck	Fitting NW12 gerade Befüllstutzen	Raccordo a clip NW12 diritto bocchettone di riempimento
13			■	629004751A	Fitting NW16 straight filler neck	Fitting NW16 gerade Befüllstutzen	Raccordo a clip NW16 diritto bocchettone di riempimento
22			■	9004693A	Clip NW12 (10x)	Klammer NW12 (10x)	Fermagli NW12 (10x)
22			■	9004694A	Clip NW16 (10x)	Klammer NW16 (10x)	Fermagli NW16 (10x)
Spare parts for FG100 hoses [2]:							
8			■	6241040A [1]	Fitting NW12 7/8" 90° for hose FG100	Fitting NW12 7/8" 90° für Schlauch FG100	Raccordo a clip NW12 7/8" 90° per tubo FG100
9			■	6241026A [1]	Fitting NW16 90° flange for hose FG100	Fitting NW16 90° Flansch für Schlauch FG100	Raccordo a clip NW16 90° flangia per tubo FG100
11			■	6241042A	Fitting NW12 3/4" 90° filler neck for hose FG100	Fitting NW12 3/4" 90° Befüllstutzen für Schlauch FG100	Raccordo a clip NW12 3/4" 90° con valvola AP per tubo FG100
11			■	6241044A	Fitting NW16 7/8" 90° filler neck for hose FG100	Fitting NW16 7/8" 90° Befüllstutzen für Schlauch FG100	Raccordo a clip NW16 7/8" 90° con valvola AP per tubo FG100
12			■	6241062A	FG100 Refrigerant hose NW12 fitting 6 m	FG100 Kältemittelschlauch NW12 Fitting 6 m	FG100 Flessibile del refrigerante NW12 raccordo a clip 6 m
12			■	6241063A	FG100 Refrigerant hose NW12 fitting 11 m	FG100 Kältemittelschlauch NW12 Fitting 11 m	FG100 Flessibile del refrigerante NW12 raccordo a clip 11 m
12			■	6241071A	FG100 Refrigerant hose NW16 fitting 6 m	FG100 Kältemittelschlauch NW16 Fitting 6 m	FG100 Flessibile del refrigerante NW16 raccordo a clip 6 m
13			■	6241053A [1]	Fitting NW12 straight filler neck for hose FG100	Fitting NW12 gerade Befüllstutzen für Schlauch FG100	Raccordo a clip NW12 diritto con valvola AP per tubo FG100
13			■	6241027A [1]	Fitting NW16 straight filler neck for hose FG100	Fitting NW16 gerade Befüllstutzen für Schlauch FG100	Raccordo a clip NW16 diritto con valvola BP per tubo FG100

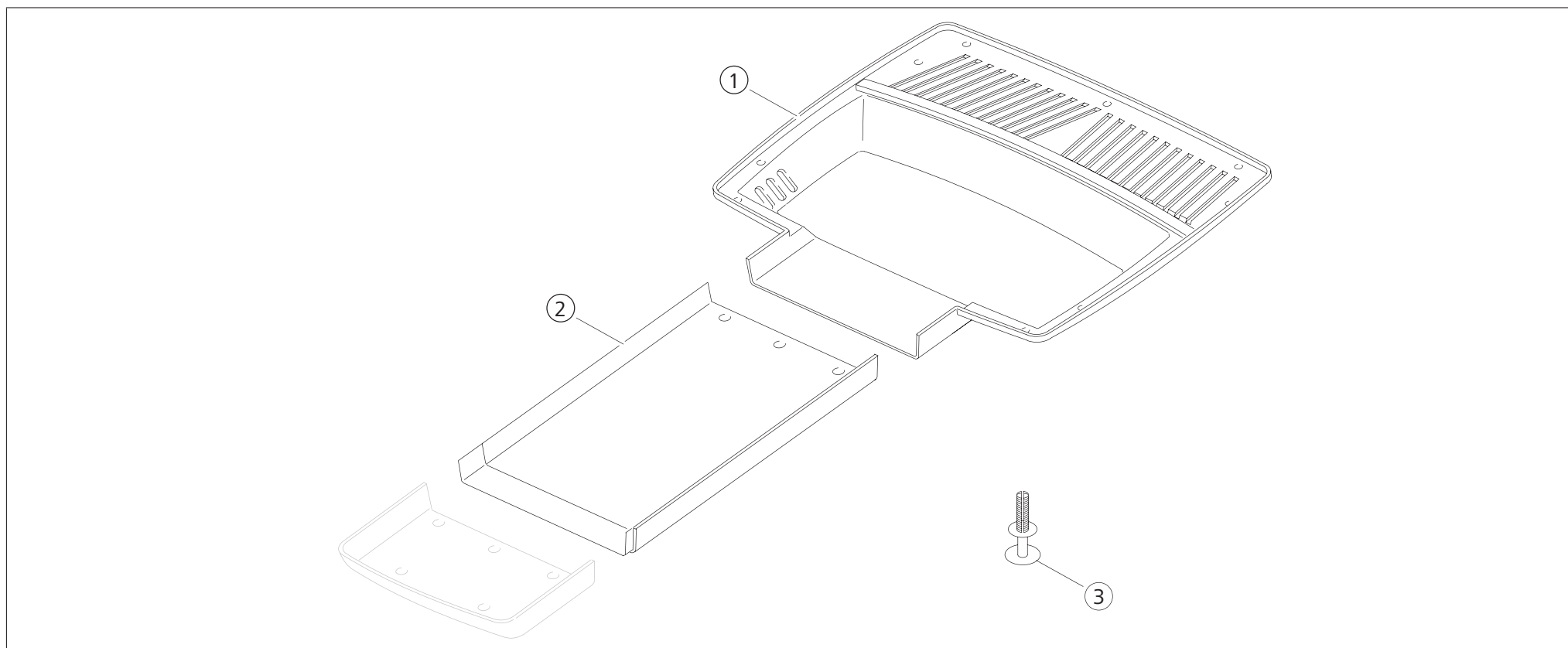
[1] Fittings (bag) are delivered with mounting material. / Diese Fittinge (Beutel) werden mit Montagmaterial geliefert. / Raccordi (sacchetti) sono forniti con materiale di montaggio.

[2] Before ordering hoses or fittings as spare part, it is mandatory to verify whether the hose is of the Eaton or the FG100 model. / Vor der Bestellung von Schläuchen oder Armaturen als Ersatzteil ist unbedingt zu prüfen, ob es sich um einen Schlauch des Modells Eaton oder des Modells FG100 handelt. / Prima di ordinare tubi o raccordi come pezzi di ricambio, è obbligatorio verificare se il tubo è del modello Eaton o del modello FG100.

Pos.	CCA4E	CC5	CC8	Part no.	Description	Beschreibung	Descrizione
10			■	9024281A	Thermic expansion valve TDCF2	Thermisches Expansionsventil TDCF2	Valvola ad espansione termico TDCF2
14			■	RMA8801C	Refrigerant line NW8	Kältemittelleitung NW8	Tubo di refrigerazione NW8
15			■	6266554B	Receiver-dryer	Sammler/Trockner	Filtro disidratatore
16			■	62054103A	Centrifugal blower 12 V	Radialgebläse 12 V	Unità ventilatore 12 V
16			■	62054107A	Centrifugal blower 24 V	Radialgebläse 24 V	Unità ventilatore 24 V
17			■	629000492A	Pressure switch binary R134a 22.5/2.0 bar	Druckschalter binary R134a 22.5/2.0 bar	Pressostato sistema binario R134a 22.5/2.0 bar
18			■	9024279A	Anti condensate mesh	Anti-Kondensat Netz	Filtro anticondensa
19			■	9024276A	Evaporator	Verdampfer	Evaporatore
20			■	629000794A	Evaporator with heating element	Verdampfer mit Heizeil	Evaporatore con elemento riscaldante
21			■	9024283A	Condenser	Verflüssiger	Condensatore
---			■	6230655A	O-ring NW12 fitting hose side (20x)	O-Ring NW12 Fitting schlauchseitig (20x)	Anello OR NW12 raccordo a clip lato tubo (20x)
---			■	6230656A	O-ring NW16 fitting hose side (20x)	O-Ring NW16 Fitting schlauchseitig (20x)	Anello OR NW16 raccordo a clip lato tubo (20x)
---			■	6280641A	O-ring NW12 expansion valve	O-Ring NW12 Expansionsventil	Anello OR NW12 valvola ad espansione
---			■	6280835A	O-ring NW16 evaporator	O-Ring NW16 Verdampfer	Anello OR NW16 evaporatore

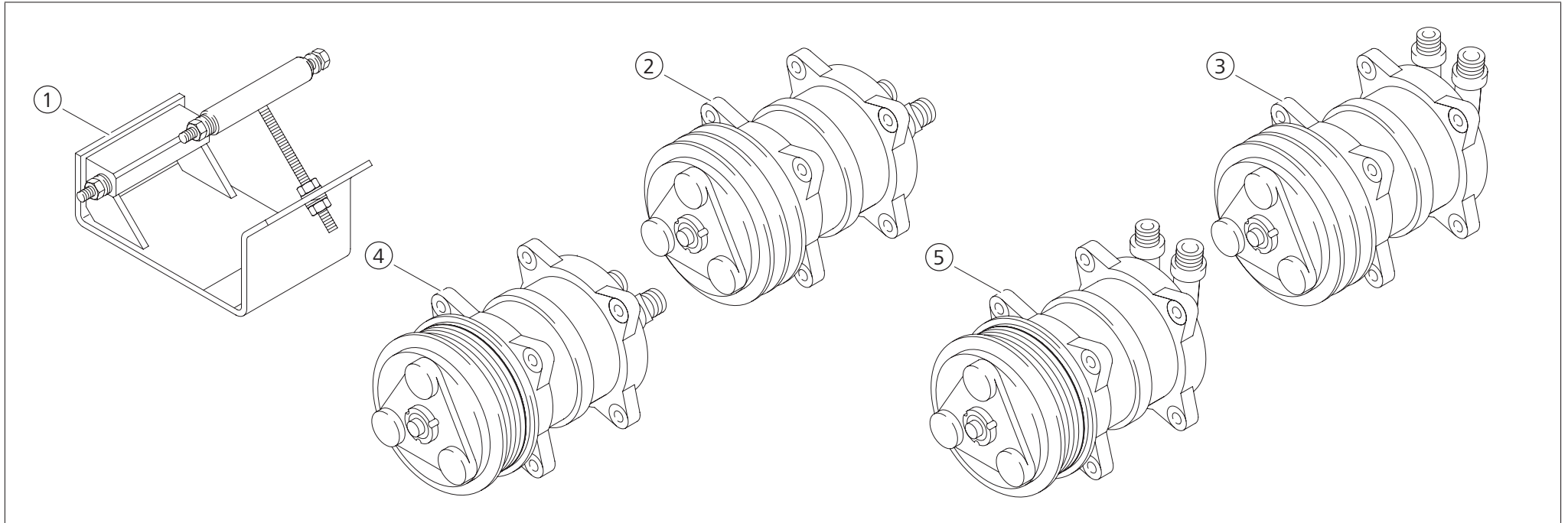
[1] Fittings (bag) are delivered with mounting material. / Diese Fittinge (Beutel) werden mit Montagmaterial geliefert. / Raccordi (sacchetti) sono forniti con materiale di montaggio.

5 Optional air distribution CC8 / Optionale Luftverteilung CC8 / Distribuzione dell'aria opzionale CC8



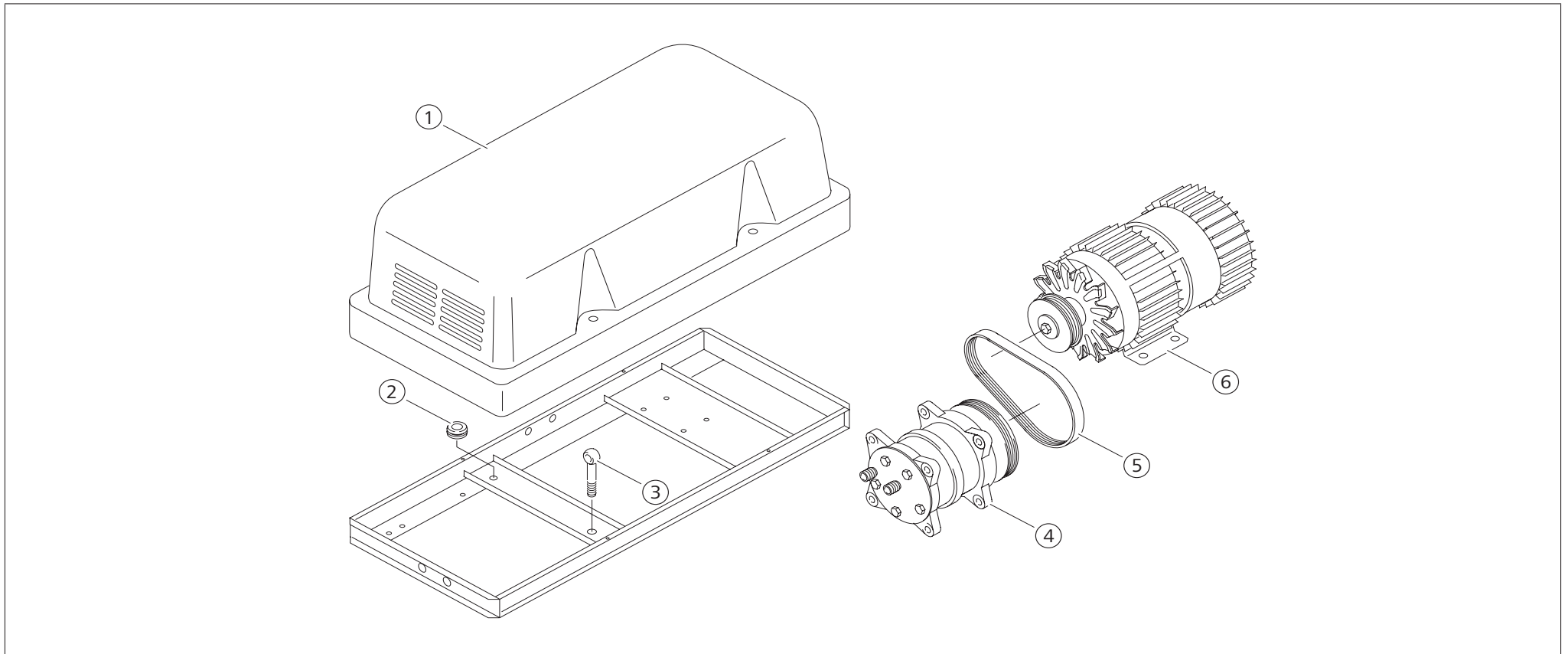
Pos.	CC4E	CC5	CC8	Part no.	Description	Beschreibung	Descrizione
1			■	98696B	Air distribution panel duct system	Luftverteilerplatte Kanalsystem	Pannello di distribuzione dell'aria sistema di condotte
2			■	6298513C	Air channel middle section	Luftkanal Mittelstück	Elemento intermedio condotta dell'aria
3			■	6272074A	Plastic rivet	Kunststoffniet	Rivetto in plastica

6 Compressors / Verdichter / Compressori



Pos.	CC4E	CC5	CC8	Part no.	Description	Beschreibung	Descrizione
1		■	■	87723C	Universal bracket	Universeller Halter	Supporto universale
2		■		6240152B	Seltec compressor TM-13HD horizontal 12 V	Verdichter Seltec TM-13HD horizontal 12 V	Compressore Seltec TM-13HD orizzontale 12 V
2		■		6240153B	Seltec compressor TM-13HD horizontal 24 V	Verdichter Seltec TM-13HD horizontal 24 V	Compressore Seltec TM-13HD orizzontale 24 V
2			■	6267045A	Seltec compressor TM-16 HD horizontal 12 V	Verdichter Seltec TM-16HD horizontal 12 V	Compressore Seltec TM-16HD orizzontale 12 V
2			■	6267046A	Seltec compressor TM-16 HD horizontal 24 V	Verdichter Seltec TM-16HD horizontal 24 V	Compressore Seltec TM-16HD orizzontale 24 V
3		■		6280755B	Seltec compressor TM-13 HD vertical 12 V	Verdichter Seltec TM-13HD vertikal 12 V	Compressore Seltec TM-13HD verticale 12 V
3		■		6280700B	Seltec compressor TM-13HD vertical 24 V	Verdichter Seltec TM-13HD vertikal 24 V	Compressore Seltec TM-13HD verticale 24 V
3			■	6264040A	Seltec compressor TM-16 HD vertical 12 V	Verdichter Seltec TM-16HD vertikal 12 V	Compressore Seltec TM-16HD verticale 12 V
3			■	6264035A	Seltec compressor TM-16 HD vertical 24 V	Verdichter Seltec TM-16HD vertikal 24 V	Compressore Seltec TM-16HD verticale 24 V
4		■		6288139B	Seltec compressor TM-13 HD 8PVK horizontal 24 V	Verdichter Seltec TM-13HD 8PVK horizontal 24 V	Compressore Seltec TM-13HD 8PVK orizzontale 24 V
4			■	629000678A	Seltec compressor TM-16 HD 8PVK horizontal 12 V	Verdichter Seltec TM-16HD 8PVK horizontal 12 V	Compressore Seltec TM-16HD 8PVK orizzontale 12 V
4			■	629000679A	Seltec compressor TM-16 HD 8PVK horizontal 24 V	Verdichter Seltec TM-16HD 8PVK horizontal 24 V	Compressore Seltec TM-16HD 8PVK orizzontale 24 V
5		■		6267478A	Seltec compressor TM-13HD 8PVK vertical 12 V	Verdichter Seltec TM-13HD 8PVK vertikal 12 V	Compressore Seltec TM-13HD 8PVK verticale 12 V

7 E-Unit CC4E | CC5



Pos.	CC4E	CC5	CC8	Part no.	Description	Beschreibung	Descrizione
1		■		6272260A	Cover	Abdeckung	Coperchietto
2	■	■		629000034A	Rubber bearing 50 shore grey	Gummilager 50 Shore grau	Supporti in gomma 50 shore grigio
3	■	■		629003280B	Srew DIN 444 B M10x60	Schraube DIN 444 B M10x60	Vite DIN 444 B M10x60
4	■	■		629003685A	Compressor SD5H09 4 PVK 24 V	Verdichter SD5H09 4PVK 24 V	Compressore SD5H09 4PVK 24 V
5	■	■		629004057C	Ribbed V-belt DIN 7867 3 PK 560	Keilrippenriemen DIN 7867 3 PK 560	Cinghie Poly-V DIN 7867 3 PK 560
6	■	■		629003895D	Motor	Motor	Motore
---	■	■		629005525A	Fuse 75 A white	Sicherungs 75 A weiß	Fusibile 75 A bianco

To request this documentation in another language, please locate and contact your local Webasto dealer.
You can find your nearest dealer at: <https://dealerlocator.webasto.com/en-int>.
To provide feedback (in English or German), please email: feedback2tdt@webasto.com

Benötigen Sie diese Dokumentation in einer anderen Sprache, wenden Sie sich bitte an Ihren örtlichen Webasto Händler.
Sie finden den nächstgelegenen Händler unter: <https://dealerlocator.webasto.com/de-de>.
Um Feedback (in Englisch oder Deutsch) zu geben, senden Sie bitte eine E-Mail an: feedback2tdt@webasto.com

Se la presente documentazione è necessaria in un'altra lingua, rivolgersi al proprio rivenditore locale Webasto.
Per trovare il rivenditore più vicino fare riferimento all'indirizzo: <https://dealerlocator.webasto.com/it-it>.
Per fornire un feedback (in inglese o tedesco) in merito al presente documento, inviare un messaggio di posta elettronica al team Tech Doc e Translation: feedback2tdt@webasto.com

Europe, Asia Pacific:

Webasto
Kraillinger Straße 5
82131 Stockdorf
Germany

UK only:

Webasto Thermo & Comfort UK Ltd
Webasto House
White Rose Way
Doncaster Carr
South Yorkshire
DN4 5JH
United Kingdom

Only within Germany
Tel: 0395 5592 444
Mail: technikcenter@webasto.com

